

NEMO^{USA}

ELLISSE MAJOR

Federico Palazzari

LED pendant lamp, available in three versions: major, minor and double. Widespread direct or indirect lighting. Extruded aluminum, painted in matt white or black, polished, or glossy gold anodized. Opaline diffuser. Ellisse is manufactured through a proprietary technology to combine the extruded bars (patent pending).



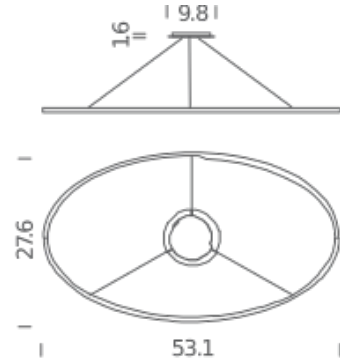
ELLISSE MAJOR

Federico Palazzari

DOWNLIGHT LED

Lamping

Source	LINEAR LED
Total power	78W
Emission	DIFFUSED ORIENTABLE
Switching	dimmable, 1-10V
Tension	120V
Color temperature	3000K (gold version:2700K)
Luminous flux	7800lm
Typ cri	83
Energy class	A+
Ip class	20
Dimensions	53.1 X 27.6 X 0.8
Materials	aluminum + PC
Notes	cable length 8.2' max



Codes

	Structure	Diffuser
ELP LWW 54	white	
white		
ELP LNW 54	black	
white		
ELP LGW 54	gold polished anodized	
white		
ELP LLW 54	polished aluminum	
white		
Net lamp weight	11 lbs	

Package 1

Dimensions	31.5 X 59.1 X 5.9
Gross weight	16.5 lbs

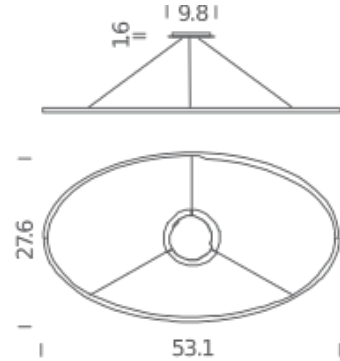
ELLISSE MAJOR

Federico Palazzari

UPLIGHT LED

Lamping

Source	LINEAR LED
Total power	78W
Emission	DIFFUSED ORIENTABLE
Switching	dimnable, 1-10V
Tension	120V
Color temperature	3000K (gold version:2700K)
Luminous flux	7800lm
Typ cri	83
Energy class	A+
Ip class	20
Dimensions	53.1 X 27.6 X 0.8
Materials	aluminum + PC
Notes	cable length 8.2' max



Codes

ELP LWW 53

white

ELP LNW 53

white

ELP LGW 53

white

ELP LLW 53

white

Net lamp weight

Structure

white

black

gold polished anodized

polished aluminum

11 lbs

Diffuser

Package 1

Dimensions 31.5 X 59.1 X 5.9

Gross weight 16.5 lbs