

NEMO^{USA}

TUBES 1 WALL

Charles Kalpakian

Family of pendant, wall and ceiling lamps, with elements in extruded aluminum. Opal polycarbonate diffusers, for a warm and ambient lighting. Adjustable elements in the wall versions. Also available with dimmer push on the body of the lamp. Ceiling version with a 340 degree rotation for the ceiling fixed element while the other element is adjustable by 90 degrees.



TUBES 1 WALL

Charles Kalpakian

TUBES 1 WALL (PUSH)

Lamping

Source	LED BOARD
Total power	5.5W
Emission	single emission orientable spot
Switching	dimnable PUSH
Tension	120V
Color temperature	2700K
Luminous flux	135lm
Typ cri	83
Energy class	A+
Ip class	20
Dimensions	3.2
Materials	aluminum + PMMA
Notes	dimnable, push on board

Codes

TTB LLW 34
white
TTB LWC 34
white
TTB LNN 34
white

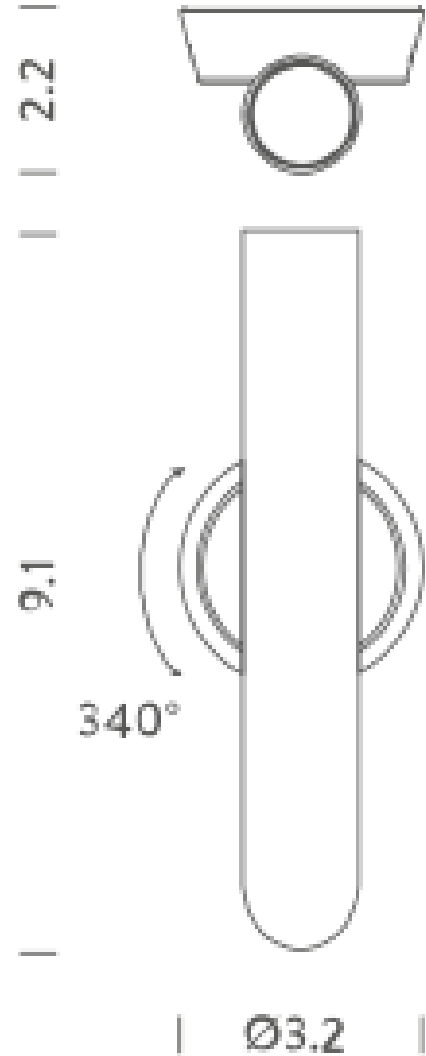
Structure

white

white/copper

black

Diffuser



TUBES 1 WALL

Charles Kalpakian

TUBES 1 WALL (TRIAC)

Lamping

Source	LED BOARD
Total power	5.5W
Emission	single emission orientable spot
Switching	dimnable triac
Tension	120V
Color temperature	2700K
Luminous flux	135lm
Typ cri	83
Energy class	B
Ip class	20
Dimensions	3.2
Materials	aluminum + PMMA
Notes	dimnable triac

Codes

TTB LWW 31
white
TTB LWC 31
white
TTB LNN 31
white

Structure

white

Diffuser

white/copper

black

