

NEMO^{USA}

TUBES 3

Charles Kalpakian

Family of pendant and wall lamps with elements in extruded aluminum. Opal polycarbonate diffusers for warm and ambient lighting. Adjustable elements in the wall versions. Available also with dimmer push on the body of the lamp for the Wall 2 version.



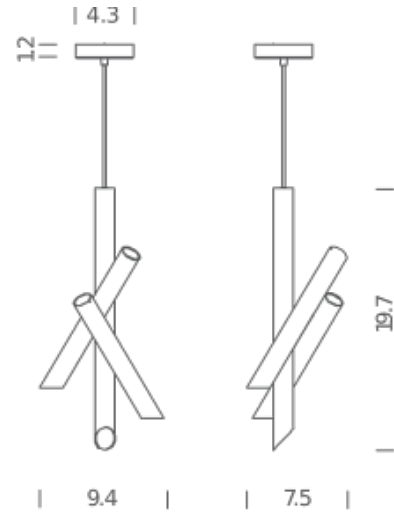
TUBES 3

Charles Kalpakian

LED

Lamping

Source	LED BOARD
Total power	14,5W
Switching	dimmable triac
Tension	120V
Color temperature	2700K
Luminous flux	1500lm
Typ cri	80
Energy class	A+
Ip class	20
Dimensions	9.4 X 7.5 X 19.7
Materials	aluminum + PMMA
Notes	cable length 9.8'



Codes

TTB LWC 51

white

TTB LWW 51

white

Net lamp weight

Structure

white/copper

white/white

Diffuser

7.7 lbs

Package 1

Dimensions 13.8 X 29.5 X 9.8

Gross weight 12.1 lbs