

**NEMO**<sup>USA</sup>

# **SPIGOLO PENDANT HORIZONTAL**

Studiocharlie

Floor, wall/ceiling, pendant and table lamps based on an extruded and tubular aluminum structure connected with molded ABS joints. In white or black painted finish and polycarbonate opaline diffuser. The joints enable the profiles to house LED sources which can be rotated 360 degrees to produce direct or indirect lighting. The floor version is designed to provide a virtual divider of ambience, while the wall/ceiling versions provide a versatile and comfortable ambience.

LED sources are dimmable with a warm tone.



## SPIGOLO PENDANT HORIZONTAL

Studiocharlie

### LED 2700K

#### Lamping

Total power	24 + 24W
Color temperature	2700K
Luminous flux	1420 + 1420lm (luminous output)

#### Codes

SPI LWW 54

white

SPI LNW 54

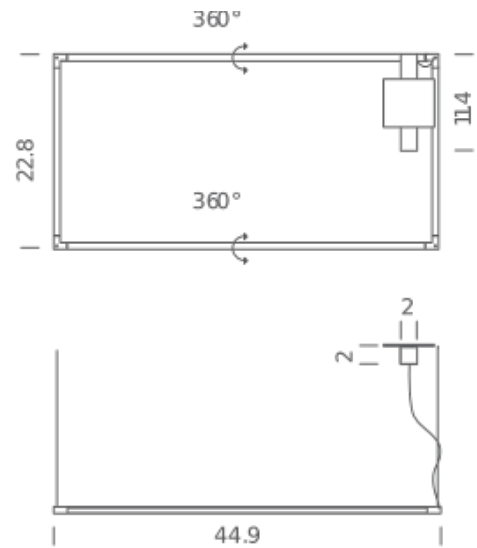
white

#### Structure

white

black

#### Diffuser



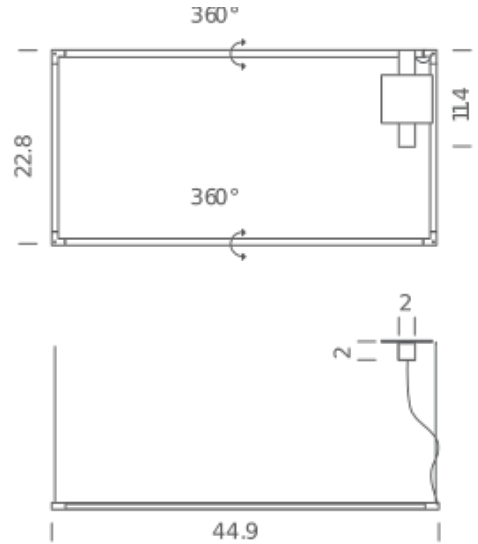
## SPIGOLO PENDANT HORIZONTAL

Studiocharlie

### LED 3000K

#### Lamping

<b>Source</b>	LINEAR LED
<b>Total power</b>	24 + 24W
<b>Emission</b>	DOUBLE, DIFFUSED
<b>Switching</b>	dimmable 1-10V, mono switch
<b>Tension</b>	120V
<b>Color temperature</b>	3000K
<b>Luminous flux</b>	2400 + 2400 lm
<b>Typ cri</b>	83
<b>Energy class</b>	A+
<b>Ip class</b>	20
<b>Dimensions</b>	44.9 X 22.8 X 0.8
<b>Materials</b>	aluminum + PC+ABS
<b>Notes</b>	metal cable length 9.8' , electrical cable length 16.4' , orientable diffusers 360° , decentralized canopy



#### Codes

SPI LWW 52

white

SPI LNN 52

white

**Net lamp weight**

#### Structure

white

black

#### Diffuser

6.2 lbs

#### Package 1

**Dimensions**

7.1 X 8.7 X 26

**Gross weight**

6.6 lbs

#### Package 2

**Dimensions**

6.7 X 7.1 X 46.5

**Gross weight**

4 lbs