

**NEMO**<sup>USA</sup>

## **SPIGOLO FLOOR**

Studiocharlie

Floor, wall/ceiling, pendant and table lamps based on an extruded and tubular aluminum structure connected with molded ABS joints. In white or black painted finish and polycarbonate opaline diffuser. The joints enable the profiles to house LED sources which can be rotated 360 degrees to produce direct or indirect lighting. The floor version is designed to provide a virtual divider of ambience, while the wall/ceiling versions provide a versatile and comfortable ambience.

LED sources are dimmable with a warm tone.



## SPIGOLO FLOOR

Studiocharlie

### LED 2700K

#### Lamping

Source	LINEAR LED
Total power	8 + 12 + 41W
Luminous flux	800lm + 1200lm + 4100lm

#### Codes

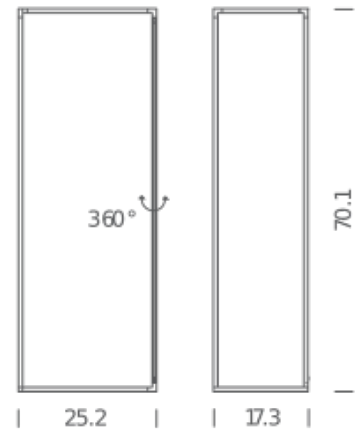
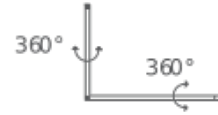
SPI LW2 23  
white  
SPI LN2 23  
white

#### Structure

white

#### Diffuser

black



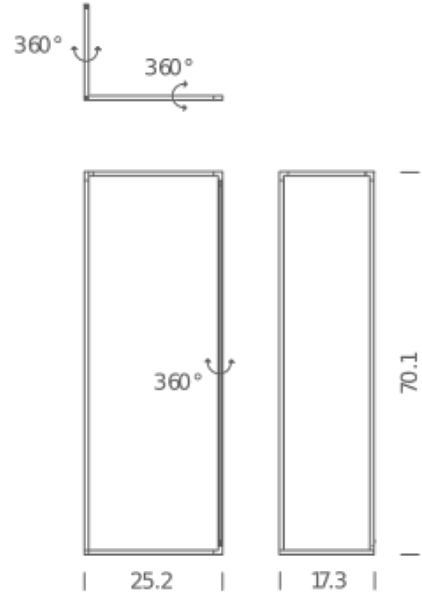
## SPIGOLO FLOOR

Studiocharlie

### LED 3000K

#### Lamping

Source	LINEAR LED
Total power	32 + 11 + 7W
Emission	TRIPLE, DIFFUSED
Switching	dimmable, mono switch
Tension	120V
Color temperature	3000K
Luminous flux	5120 + 1760 + 1120lm
Typ cri	83
Energy class	A+
Ip class	20
Dimensions	25.2 X 17.3 X 70.1
Materials	aluminum + PC+ABS
Notes	orientable diffuser, dimmer on cable, cable length 14.8'



#### Codes

SPI LWW 22

white

SPI LNN 22

white

Net lamp weight

#### Structure

white

black

22 lbs

#### Diffuser

#### Package 1

Dimensions 22.4 X 30.7 X 6.3

Gross weight 14.3 lbs

#### Package 2

Dimensions 7.1 X 8.7 X 74.87

Gross weight 15.4 lbs